



VOLTAMPERE

VOLTAMPERE



PRODUCT CATALOGUE 2020

www.voltampere-eu.com



VOLTAMPERE





VOLTAMPERE



ABOUT US

More about VOLTAMPERE LIGHTING

A Greece-based professional smart solution

Provider of digital lighting technology, which provides High-quality luminaires that can be expanded with Additional sensor parts, making them a source and data generating location with available connectivity whenever and wherever the customer needs.

Since our inception, we have offered state-of-the-art LED luminaires, implemented exceptional LED projects, been recognized and widely accepted by major consultants

& developers. We actively advance the technology

in order to create more energy-efficient and higher quality products for our customers.

VOLTAMPERE LIGHTING FOCUS ON:

- General Lighting and Luminaires

- Projects and Lighting Solutions

- High Customization Level

SPECIAL REQUEST FACTORY

Our special request factory provides us with unrivalled flexibility, which allows us to make very small and precise parts with ease and at speed.

LED PRODUCTION

All of our LED chips are soldered using the selective wave method, and all components and final products are thoroughly tested using precision equipment in line with stringent technical standards.

Residential

VOLTAMPERE LIGHTING residential luminaire selection is extremely wide and designed to cover all professional needs in general lighting at home as well as in public premises.

Public premises

Efficient and functional lighting enhances productivity and improves performance where ever we work. VOLTAMPERE LIGHTING public premises luminaires can be designed and installed to make the best possible lighting for each situation.

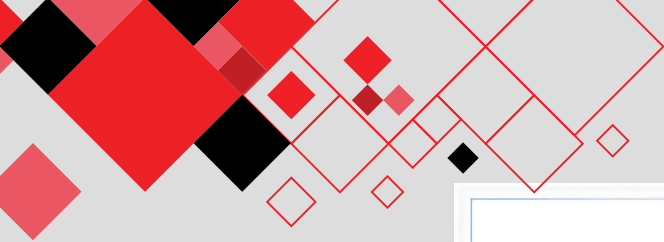
Industrial

VOLTAMPERE LIGHTING solves industrial lighting needs. Paper mill or parking hall; our efficient, wide and light technically superior portfolio suits almost everywhere.


Outdoor

VOLTAMPERE LIGHTING outdoor luminaire selection is energy efficient, long lasting and economically sustainable. We know how to light parks, squares as well as yards and parking areas.

VOLTAMPERE



C E R T I F I C A T E
of Conformity
Low Voltage Directive 2014/35/EU



Registration No.: AN 50433471 0001
Report No.: 50168133 001

Holder: Greece Voltampere Technology Co., Ltd.
2Nd KL Lagadas-Redine
GR.572 00 Thessaloniti,
Greece, Europe

Product: Recessed Luminaire
(LED Recessed light)

Identification:

DD0035A	DD0035X	DD0045X	DD0055W	DD0055L	DD0055X
DD0075C	DD0075X	DD0085X	DD0095X	DD0105X	DD0115X
DD0125X	DD0135X	DD0145X	DD0155X	DD0165X	DD0175X

Serial No.: n.a.
Remark: Refer to test report 50168133 001 for a details.

This certificate of conformity is based on an evaluation of a sample of the above mentioned product. Technical Report and documentation are at the License Holder's disposal. This is to certify that the tested sample is in conformity with Annex I of Council Directive 2014/35/EU, referred to as the Low Voltage Directive. This certificate does not imply assessment of the series-production of the product and does not permit the use of a TÜV Rheinland mark of conformity. The holder of the certificate is authorized to use this certificate in connection with the EC declaration of conformity according to Annex IV of the Directive.


Eileen Feng
Eileen Feng

Date: 29.05.2020

TÜV Rheinland LGA Products GmbH - Tillystraße 2 - 90431 Nürnberg

CE The CE marking may be used if all relevant and effective EC Directives are complied with. **CE**

TÜV Rheinland (China) Ltd.
Member of TÜV Rheinland Group

 **TÜVRheinland®**
Precisely Right.

Greece Voltampere Technology Co., Ltd. Date : 29.05.2020
2Nd KL Lagadas-Redine Our ref. : ILD 05
GR.572 00 Thessaloniti, Your ref.:
Greece, Europe

Ref : AN Certificate of Conf. Low Voltage D.

Type of Equipment : LED Recessed light
Model Designation : See Certificate
Certificate No. : AN 50433471 0001
Report No. : 50168133 001

Dear Nicole Liang,

We herewith confirm that a sample of the above mentioned technical equipment has been tested and was found to be in accordance with the relevant requirements.

Enclosed please find your Certificate of Conformity.

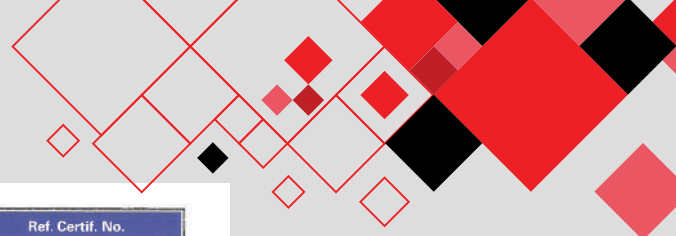
We appreciate your kind support and would like to offer our assistance and continuous services in the future.

With kind regards,
Certification Body
Eileen Feng
Eileen Feng

Enclosure



VOLTAMPERE



		Ref. Certif. No. DE 2-024829
IEC SYSTEM FOR MUTUAL RECOGNITION OF TEST CERTIFICATES FOR ELECTRICAL EQUIPMENT (IECEE) CB SCHEME		
CB TEST CERTIFICATE		
Product	LED Recessed LIGHT	
Name and address of the applicant	Greece Voltampere Technology Co., Ltd 2Nd Kl. Lagadas-Redine GR.572 00 Thessaloniki, Greece, Europe	
Name and address of the manufacturer	Greece Voltampere Technology Co., Ltd. 2Nd Kl. Lagadas-Redine GR.572 00 Thessaloniki, Greece, Europe	
Name and address of the factory	Greece Voltampere Technology Co., Ltd. 2Nd Kl. Lagadas-Redine GR.572 00 Thessaloniki, Greece, Europe	
Ratings and principal characteristics	100-240VAC, 50/60Hz; IP20, Class II For rated power, refer to the test report.	
Trademark (if any)	VOLTAMPERE	
Customer's Testing Facility (CTF) Stage used		
Model / Type Ref.	DDDaab, DTDaadb, DD'Yaab, DEYaab For detailed listing of variables see, B refer to test report.	
Additional information (if necessary may also be reported on page 2)	For model differences, refer to the test report	
A sample of the product was tested and found to be in conformity with	IEC 60598-2-2:2011 IEC 60598-1:2014 See Test Report for National Differences	
As shown in the Test Report Ref. No. which forms part of this Certificate	5018132_001	
This CB Test Certificate is issued by the National Certification Body		
TÜV Rheinland LGA Products GmbH Tillystraße 7 · 90431 Nürnberg, Germany Phone: +49 221 806-1371 Fax: +49 221 806-3935 Mail: cert-validity@de.tuv.com Web: www.tuv.com		Date: 29. 05. 2020 Signature: Eileen Feng

TÜVRheinland®
Precisely Right.

Business Stream Products
Certification Department

TÜV Rheinland LGA Products GmbH · 90431 Nürnberg

Greece Voltampere Technology Co., Ltd.
2Nd Kl. Lagadas-Redine
GR.572 00 Thessaloniki,
Greece, Europe

Contact:
Tel: +49 911 655-5225
Mail: service@de.tuv.com
29. 05. 2020

Application for : CB-Zertifikat
Certificate No. : DE 02024829
Device : Recessed Luminaire
LED Recessed Light
Type : see Certificate
Test requirement : IEC 60598-2-2:2011
IEC 60598-1:2014
See Test Report for National Differences

Dear Madame or Sir,

The submitted sample of the product has been tested and in this configuration found to be in accordance with the above mentioned requirements.
Enclosed please find the certificate No. DE 02024829.

Kind regards

Certification body

Eileen Feng

Test sample: no, documentation available

TÜV Rheinland
LGA Products GmbH
Tillystraße 7
90431 Nürnberg
Tel: +49 911 655-5225
Fax: +49 911 655-5228
Mail: service@de.tuv.com
Web: www.tuv.com/iecb

Board of Management
Dipl.-Ing.
Jörg Meiser, Spokesman
Dipl.-Kfm.
Dr. Jörg Schneider
Chairman of the
Supervisory Board
Dipl.-Ing.
Ralf Schneider
Nürnberg HRB 26013
VAT No.: DE 811 634420

2020 01 20 IECB IECB 004 TÜV Rheinland LGA Products GmbH



INDOOR LIGHT



01-Spot Lights
08 ~ 63 Page



02-Down Lights
64 ~ 75 Page



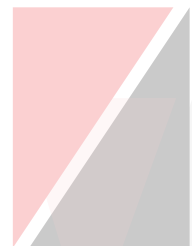
03-Track Lights
76 ~ 101 Page



Greece



04-Magnetic System
102 ~ 127 Page



VOLTAMPERE

VOLTAMPERE



05-Pendant Light
126 ~ 137 Page



06-Strip Light
138 ~ 167 Page



07-LED Bulb
168 ~ 175Page



VOLTAMPERE



OUTDOOR LIGHT



01-Cilling Surface Mounted
178 ~ 193 Page



02-Wall Lighting
194 ~ 203 Page



Greece



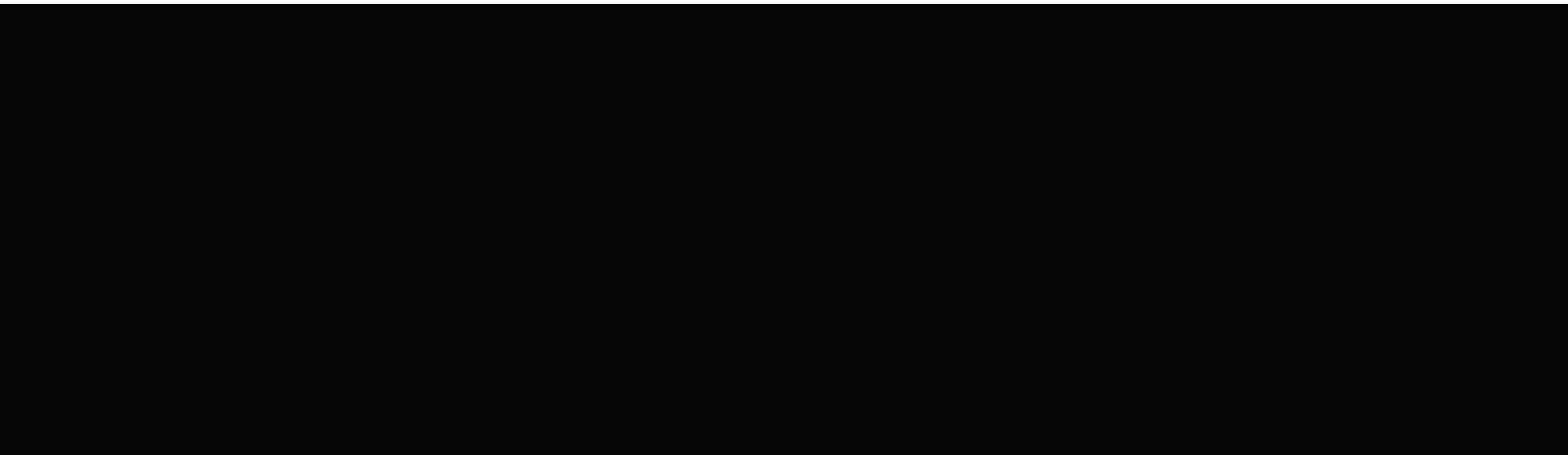
03-UnderGround light
204 ~ 219 Page



04-Bollard Light
220 ~ 223 Page



LED BULB





VOLTAMPERE



LED Drivers
PHILIPS TRIDONIC
VOLTAMPERE

LED Chips
BRIDGELUX PHILIPS
SAMSUNG CREE



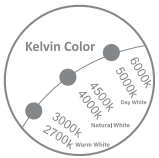


VOLTAMPERE



Human beings have endless wisdom

170 VOLTAMPERE



LED Drivers
PHILIPS TRIDONIC
VOLTAMPERE

LED Chips
BRIDGELUX PHILIPS
SAMSUNG CREE







VOLTAMPERE



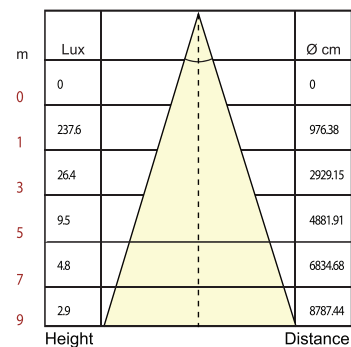
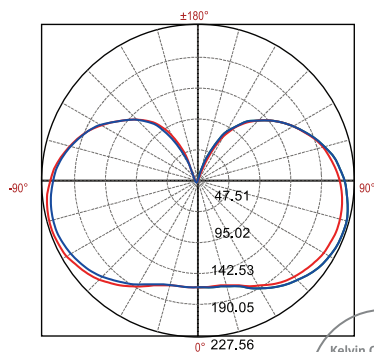
A50 A60 A70 APPLE BULB

Dimmable Non-dimmable

1. Apple bulb 3rd generation double bulbs with complete series
2. SMD packing, Hollow thermal structure
3. Omni-directional light output over 300°
4. Perfect Retrofit for Incandescent Lamp 40W/60W/75W

Model No.	Colour Temperature (K)	Rendering Index (ra)	Luminous W/D (lm)	Efficiency (lm/W)	Beam Angle (°)	Max. Luminous Intensity (cd)	Lamp Life (hrs)	Wattage (W)	Voltage (V)	Frequency (Hz)	Power Factor	Diameter (mm)	Length (mm)	Weight (g)	Lamp Base
VALB50-PG3L-05W	2700-6500	>80	350/400	70	300°	45	30,000	5	220-240	50/60	>0.5	50	93	45	E27/E26/E14
VALB60-PG4L-07W	2700-6500	>80	800/820	115	300°	90	30,000	7	220-240	50/60	>0.5	60	105	60	E27/E26/B22
VALB70-PG4L-11W	2700-6500	>80	1000/1100	100	300°	120	30,000	11	220-240	50/60	>0.5	70	131	95	E27/E26/B22

Light intensity distribution curve



Beam angle = 300°

LED Drivers
PHILIPS TRIDONIC
VOLTAMPERE

LED Chips
BRIDGELUX PHILIPS
SAMSUNG CREE



VOLTAMPERE





VOLTAMPERE

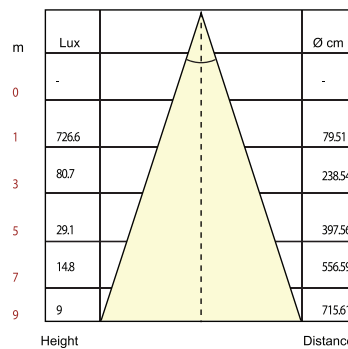
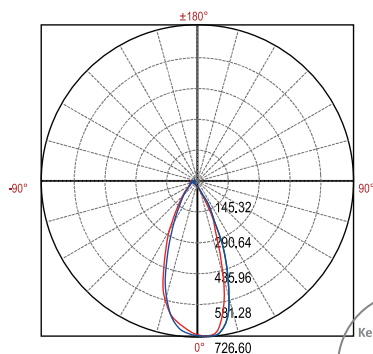


GU10 4W 5W 6W 7W

Dimmable Non-dimmable

Model No.	Colour Temperature (K)	Rendering Index (ra)	Luminous W/D (lm)	Efficiency (lm/W)	Beam Angle (°)	Max. Luminous Intensity (cd)	Lamp Life (hrs)	Wattage (W)	Voltage (V)	Frequency (Hz)	Power Factor	Diameter (mm)	Length (mm)	Weight (g)	Lamp Base
VALR16-04W-GL	2700-6500	>80	280	80	36°/60°/120°	400	20,000	4	220-240	50/60	0.5	50	55	38	GU10/GU5.3
VALR16-05W-GL	2700-6500	>80	350	80	36°/60°/120°	500	20,000	5	220-240	50/60	0.5	50	55	38	GU10/GU5.3
VALR16-05W-G-12	2700-6500	>80	400	75	36°/60°/120°	670	25,000	5	DC/AC12	-	0.5	50	46	25	GU5.3
VALR16-06W-G-12	2700-6500	>80	450	75	36°/60°/120°	780	25,000	6	DC/AC12	-	0.5	50	46	25	GU5.3
VALR16-07W-GL	2700-6500	>80	500	80	36°/60°/120°	750	20,000	7	220-240	50/60	0.5	50	55	38	GU10/GU5.3

Light intensity distribution curve



LED Drivers
PHILIPS TRIDONIC
VOLTAMPERE

LED Chips
BRIDGELUX PHILIPS
SAMSUNG CREE



Beam angle = 36°
VOLTAMPERE



VOLTAMPERE



2Nd KL Lagadas-Redine
GR.572 00 Thessaloniti,
Greece, Europe

Contact us:
T:+ 30 690 898 9002
E: info@voltampere-eu.com

www.voltampere-eu.com